

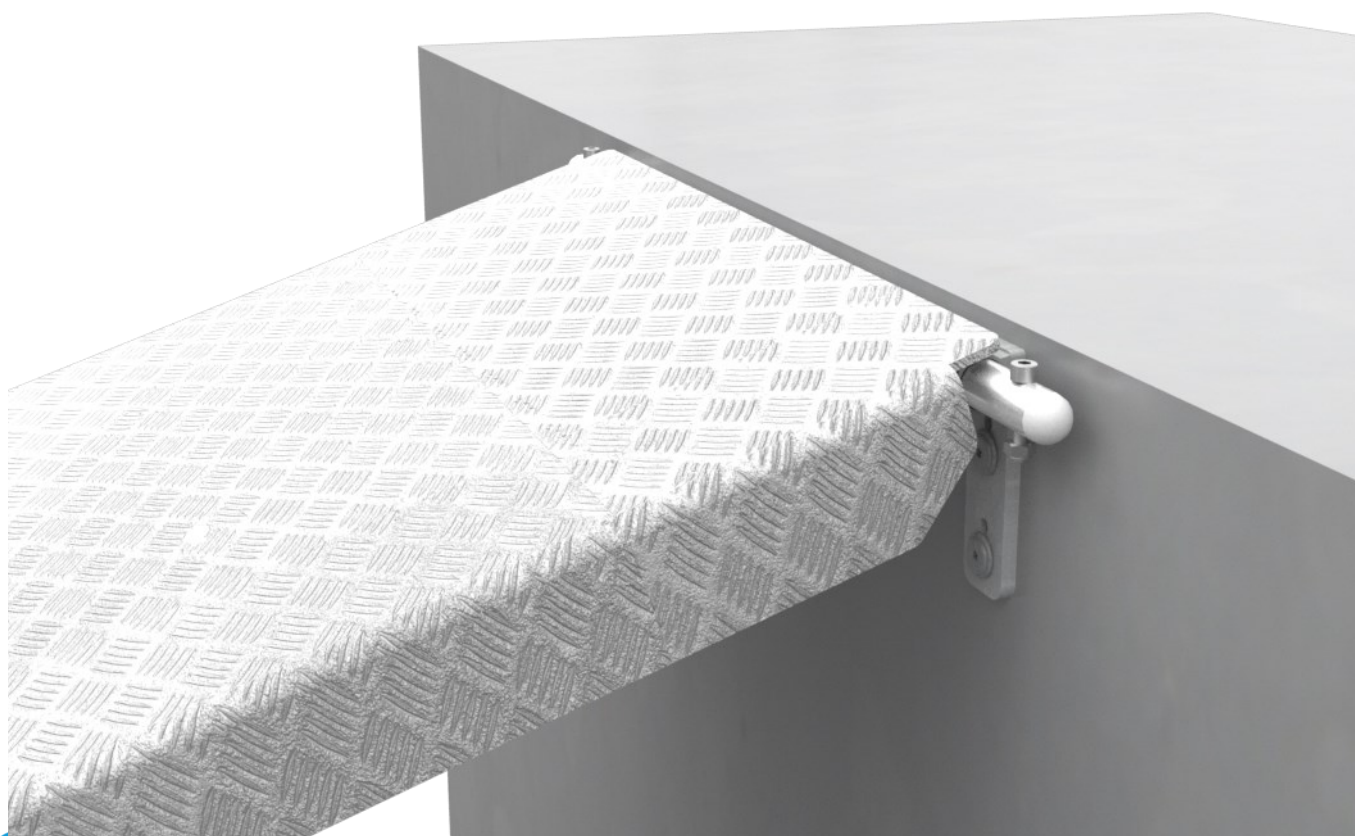
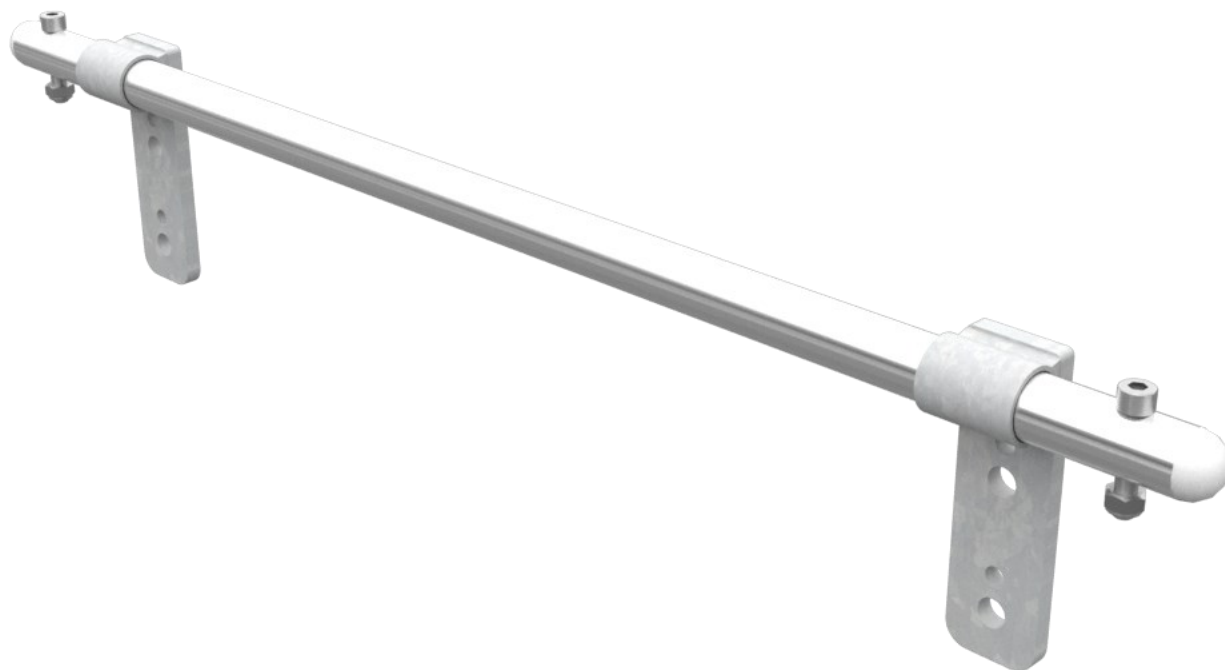
EasyFloat®

PONTOON SYSTEMS

Art: 1100-0028

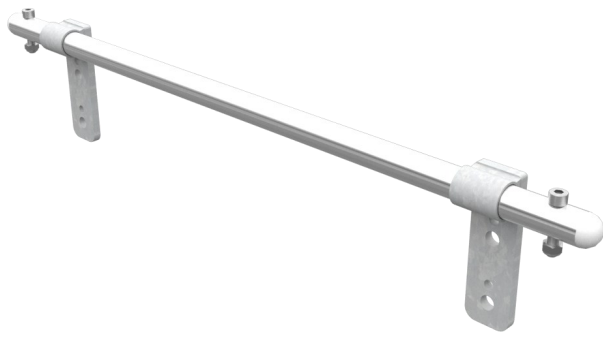
SV: Fäste för landgång landsida tZn

EN: Fastener Landing Board Shore tZn



MADE IN  
SWEDEN

floattech  
EASY AND INTELLIGENT TECHNICAL SOLUTIONS



x1



x2



M10x60

x4



10x60

x4



17



13



T40

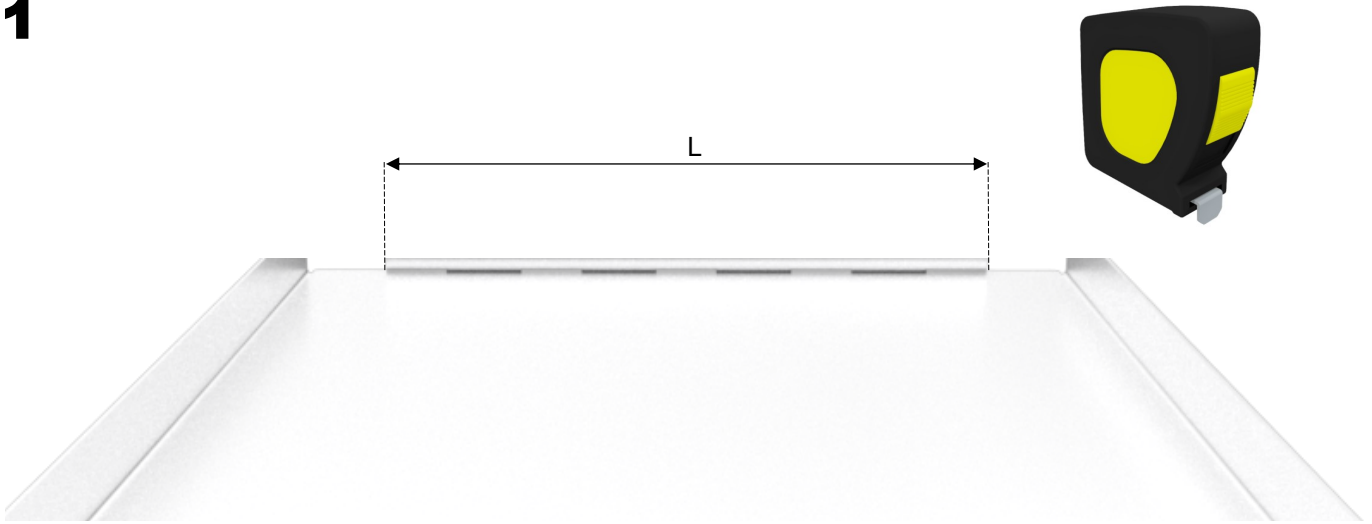


Ø 7 mm



Ø 10 mm

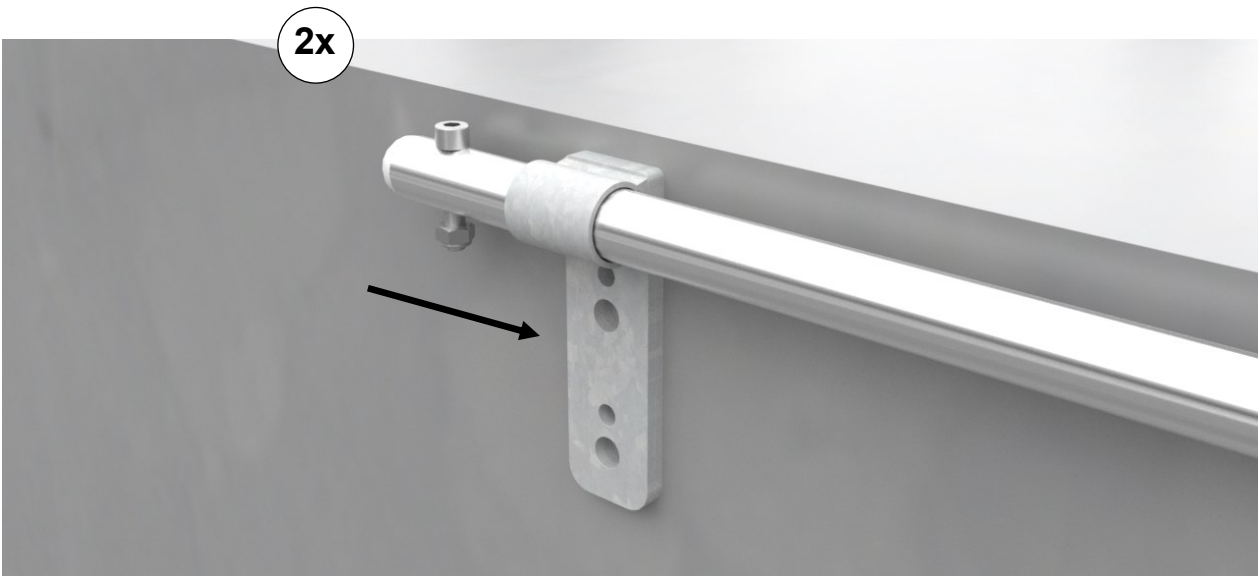
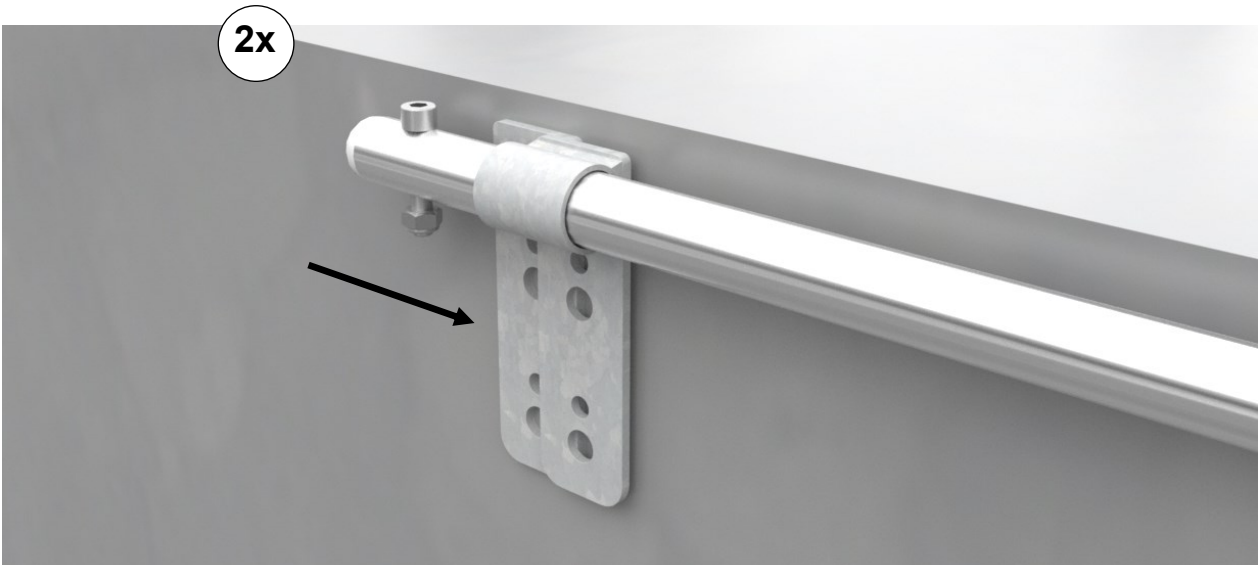
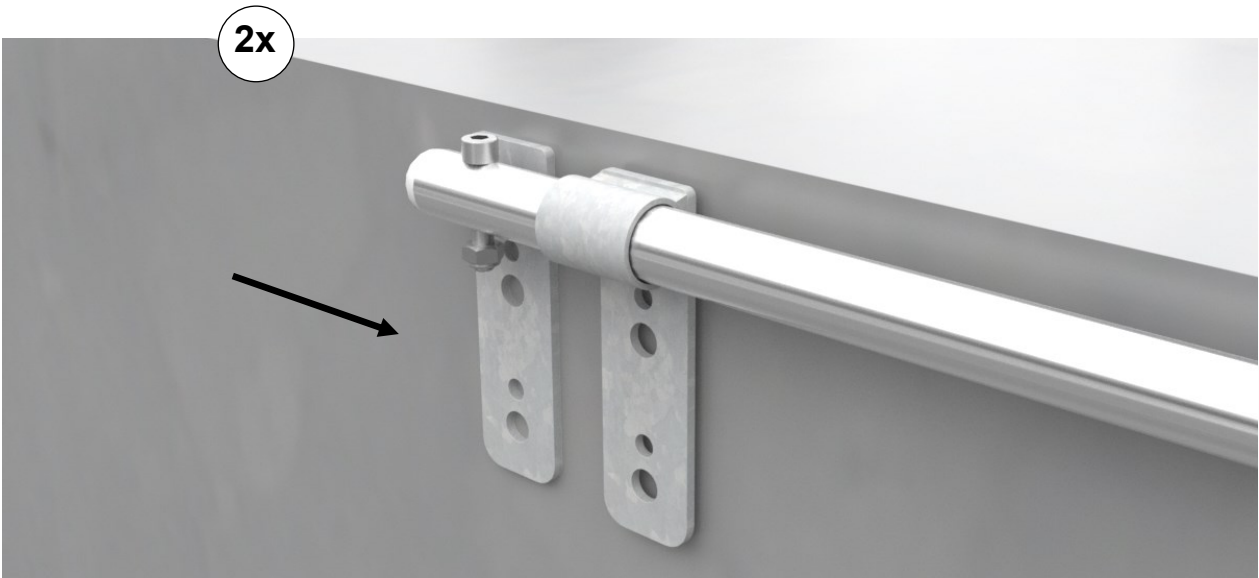
**1**



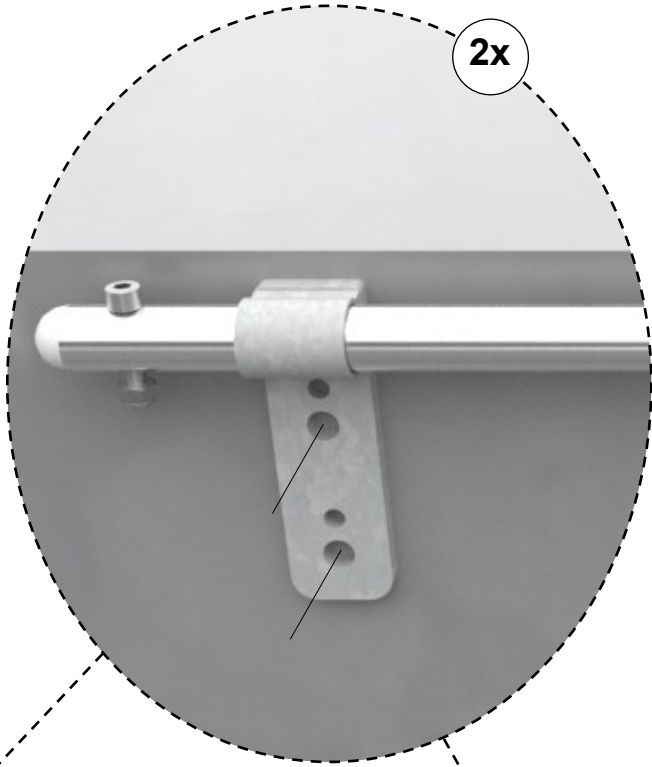
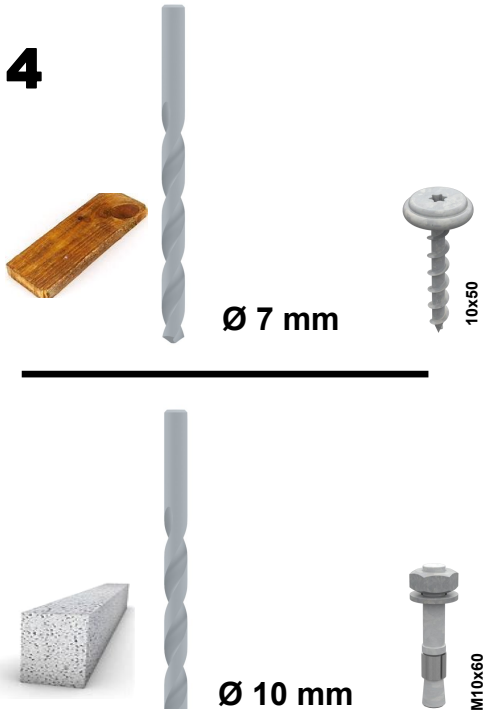
**2**



**3**



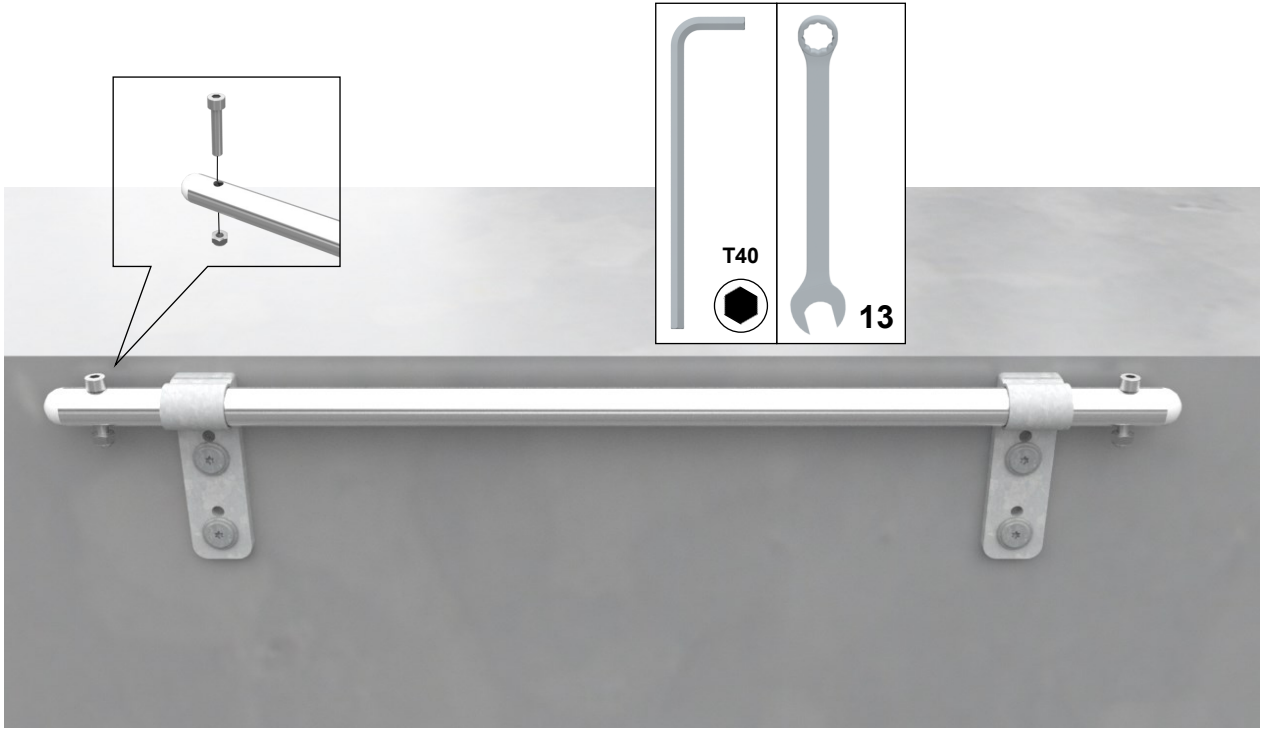
**4**



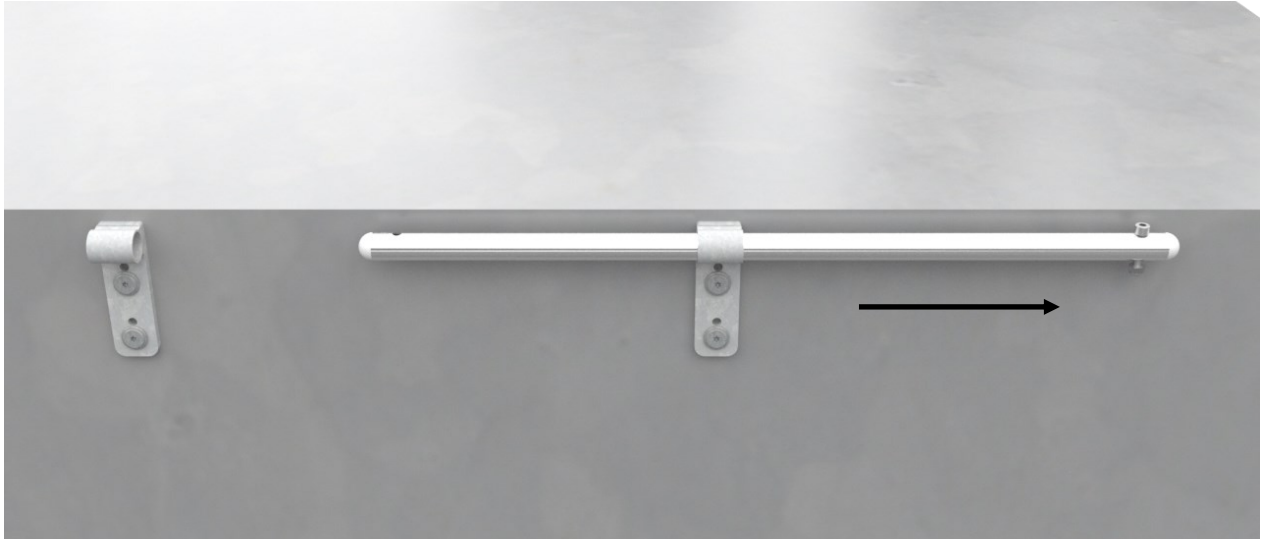
**5**



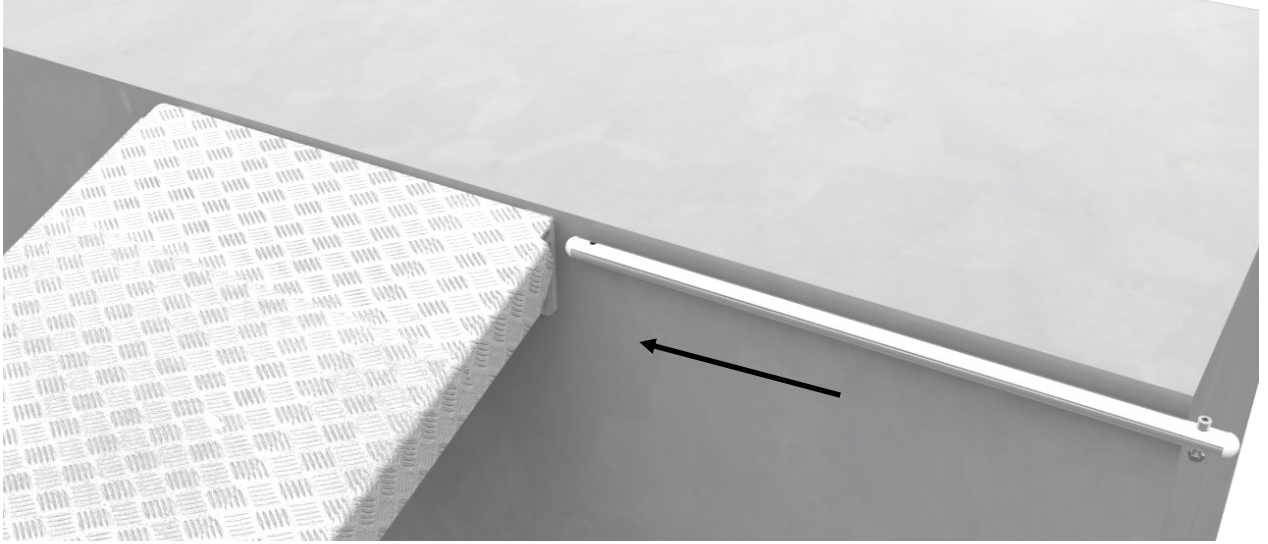
**5**



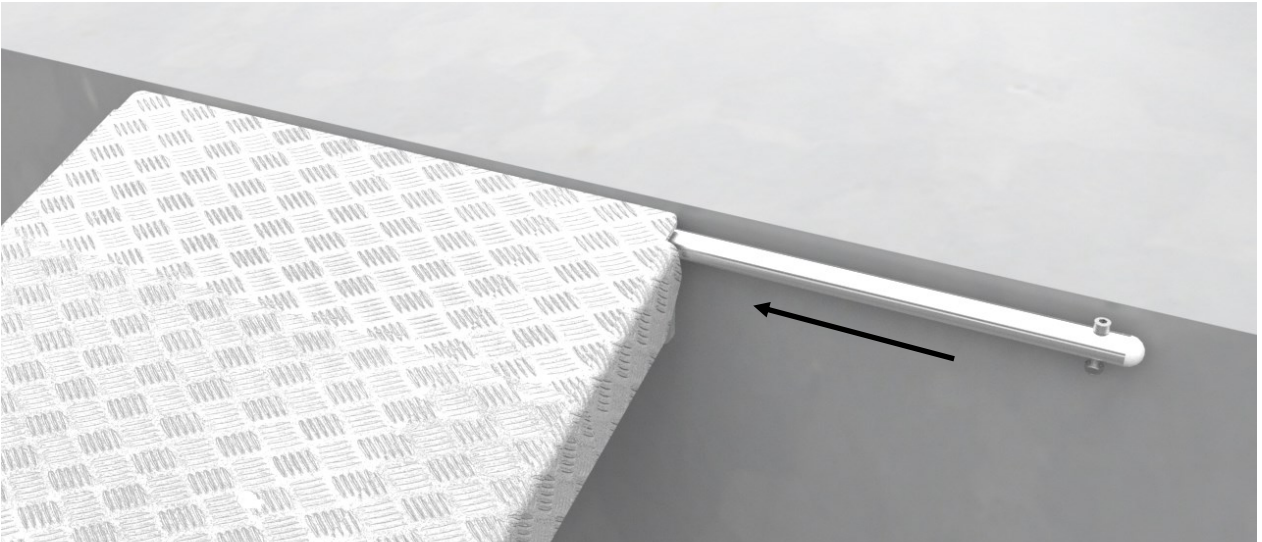
**6**



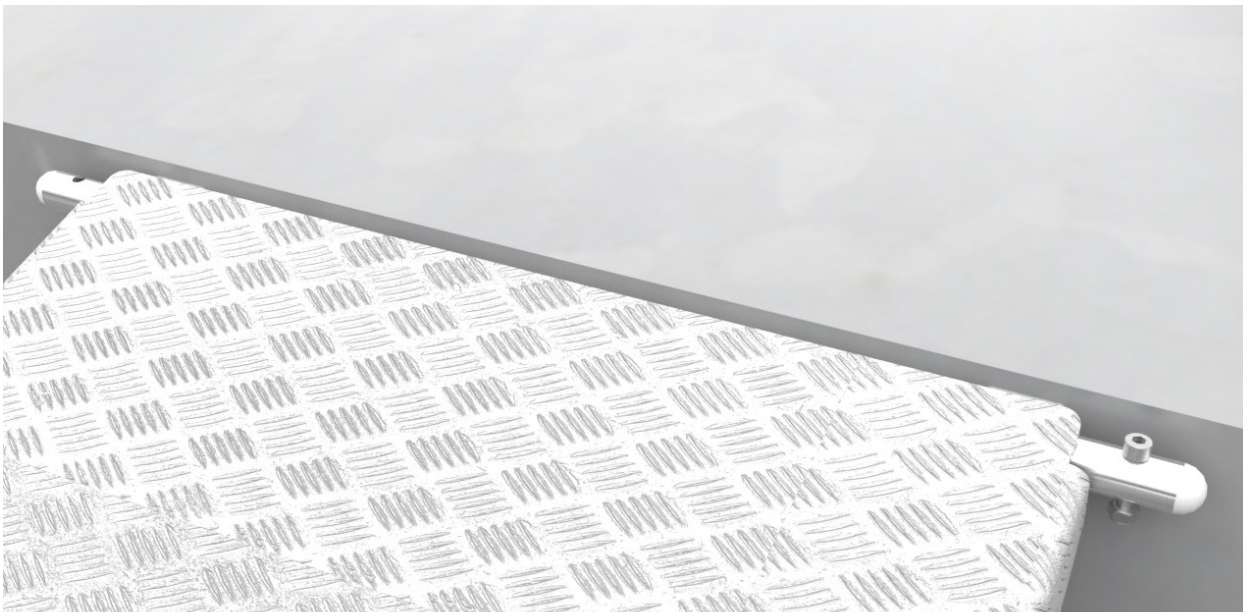
**7**



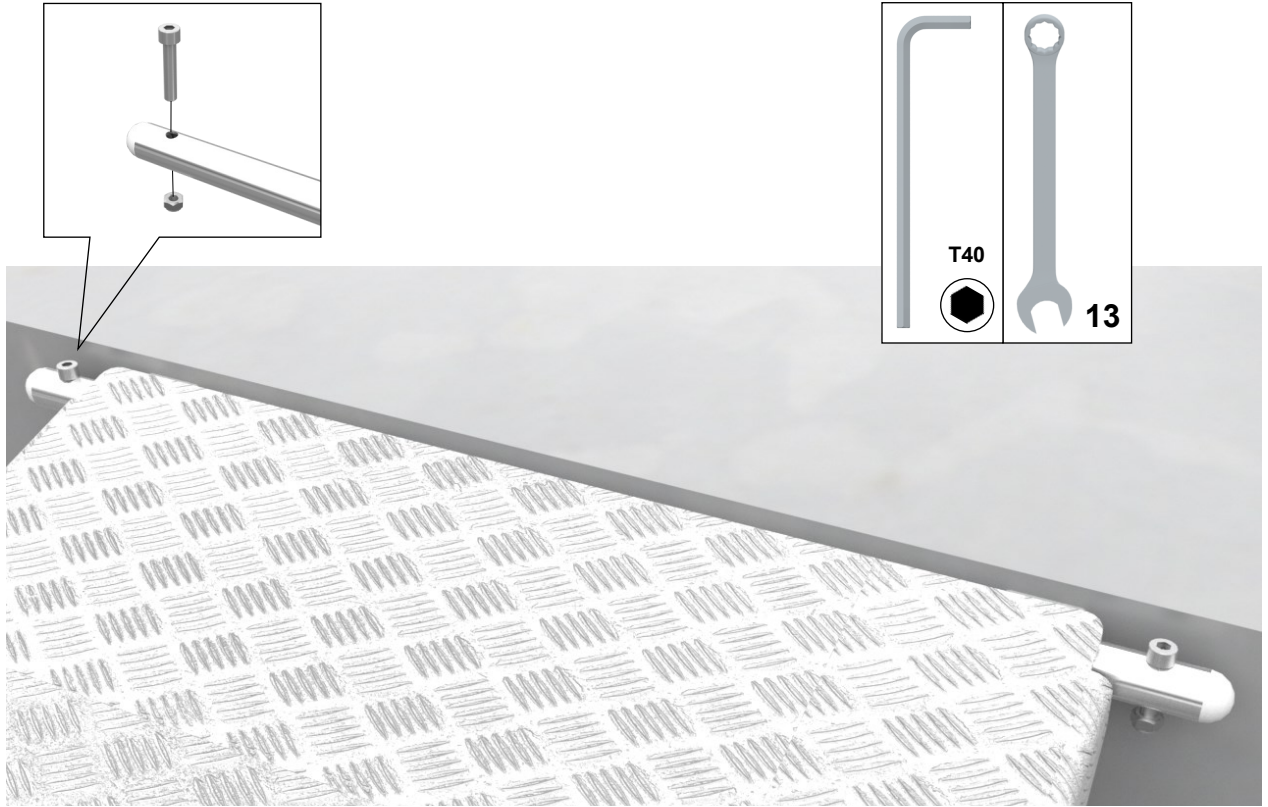
**8**



**9**



**9**



**10**

