



x2



x1



x2



x1



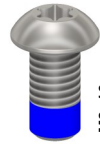
M8x40

x2



6,3x25

x4



M6x16

x8



M8

x2



M8

x4



13



T40



H6

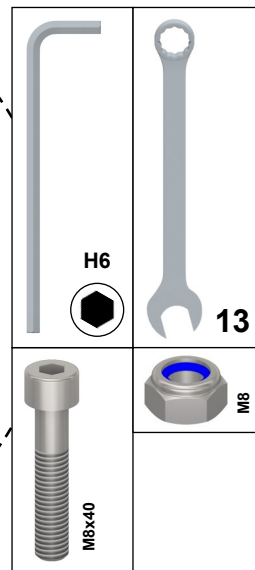
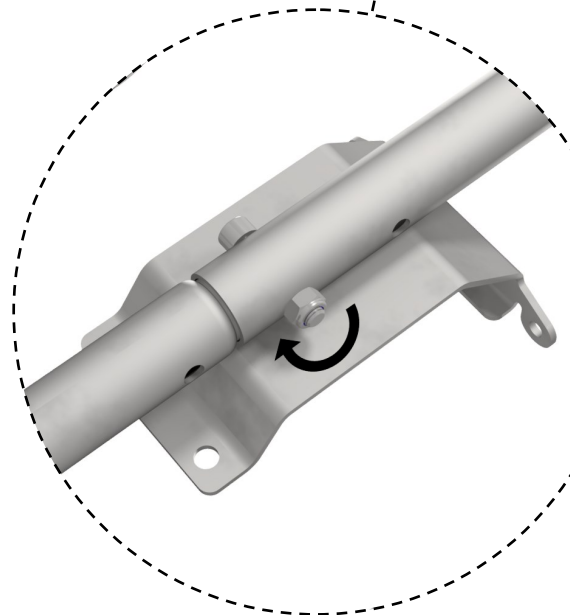
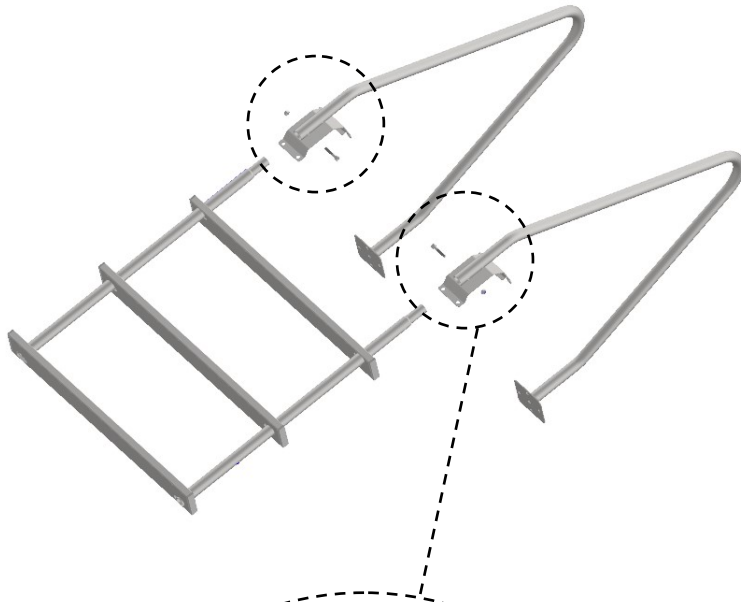


T30

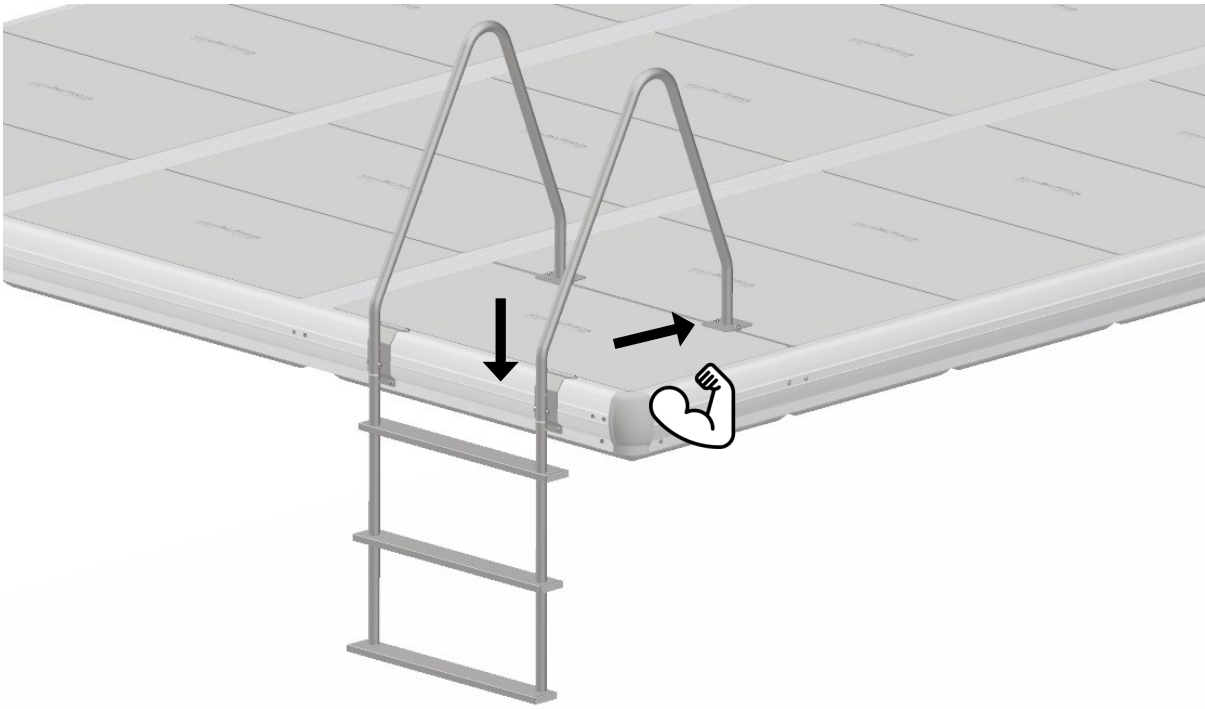


Ø 8,5 mm

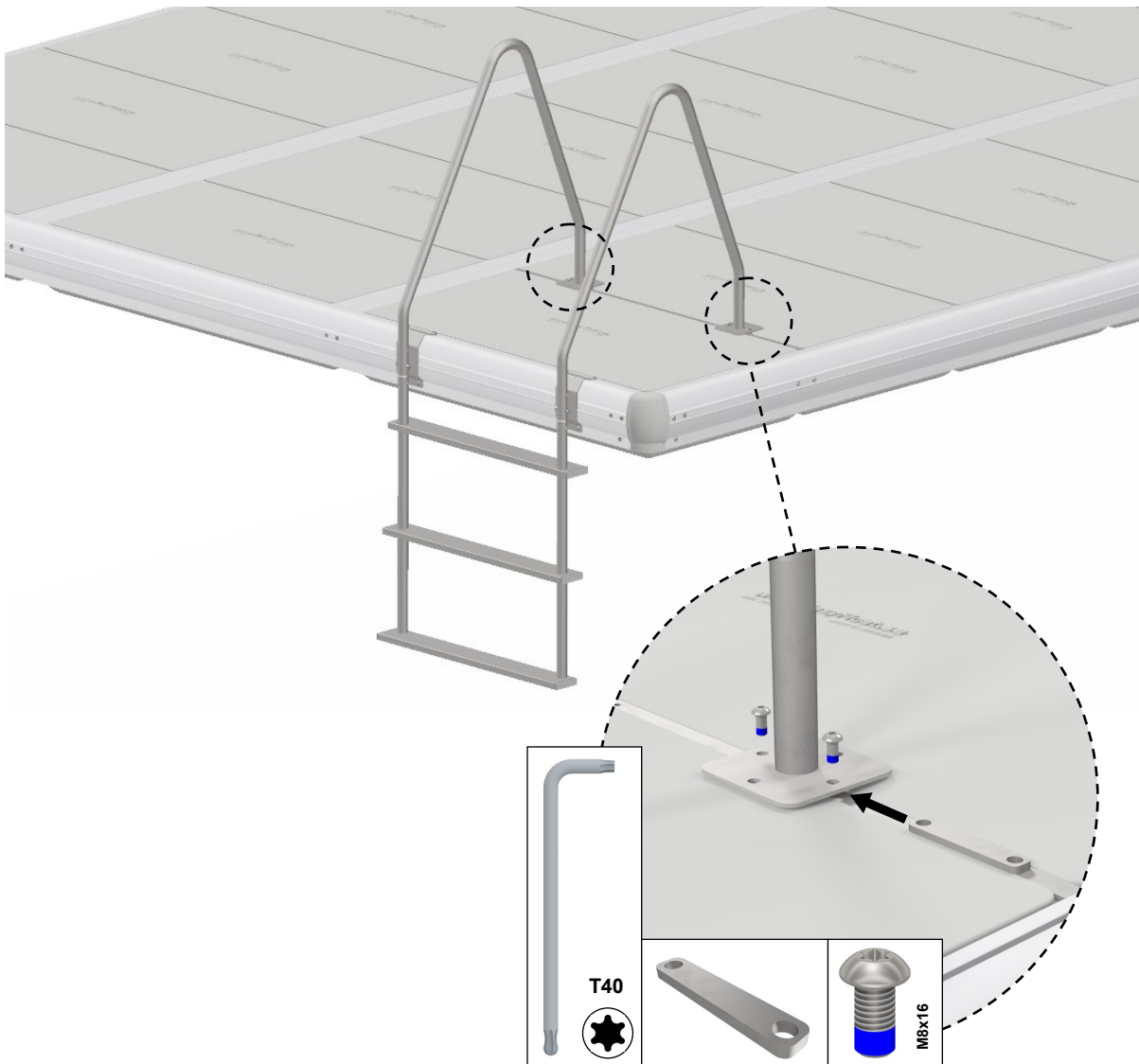
1



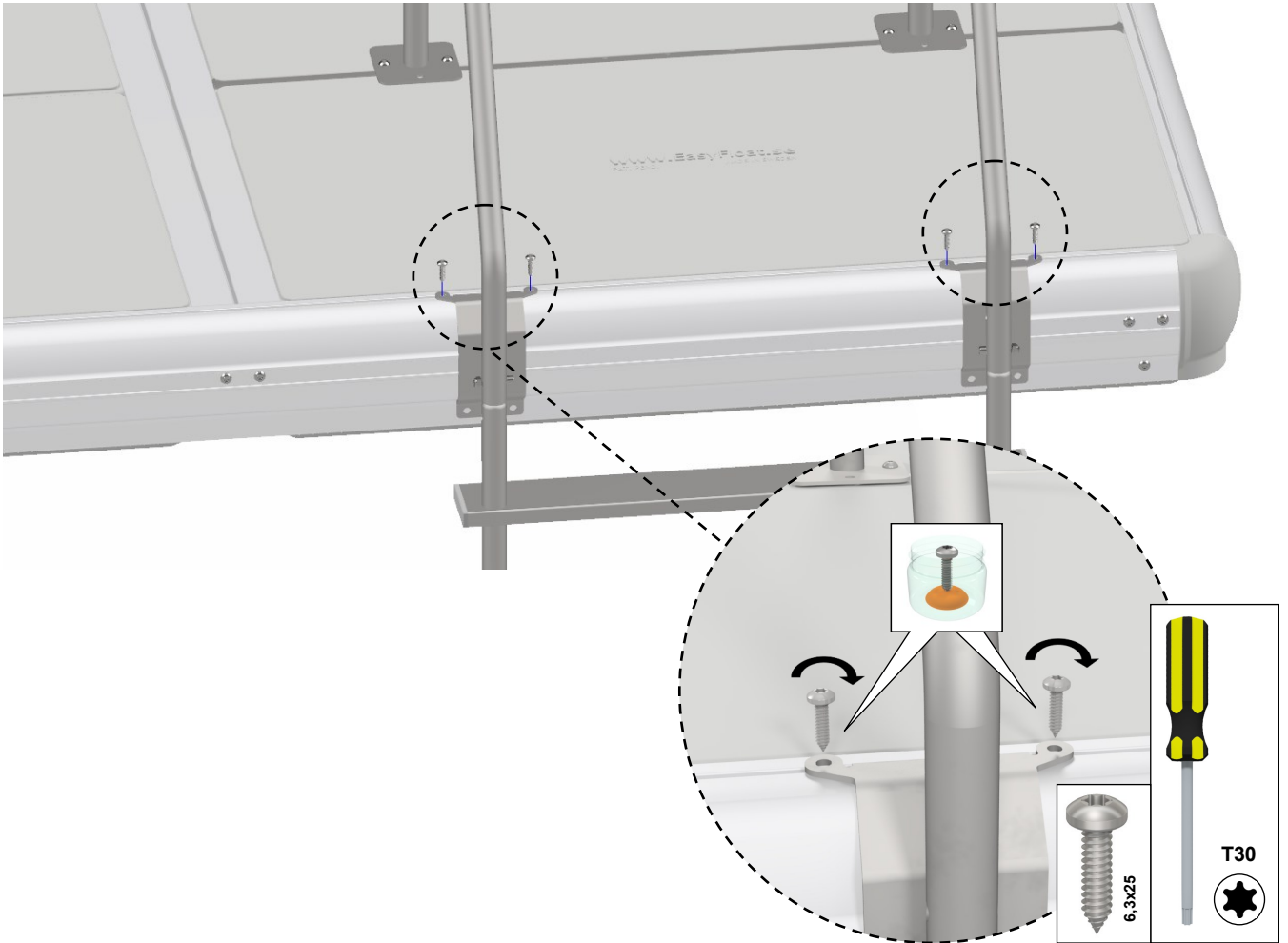
2



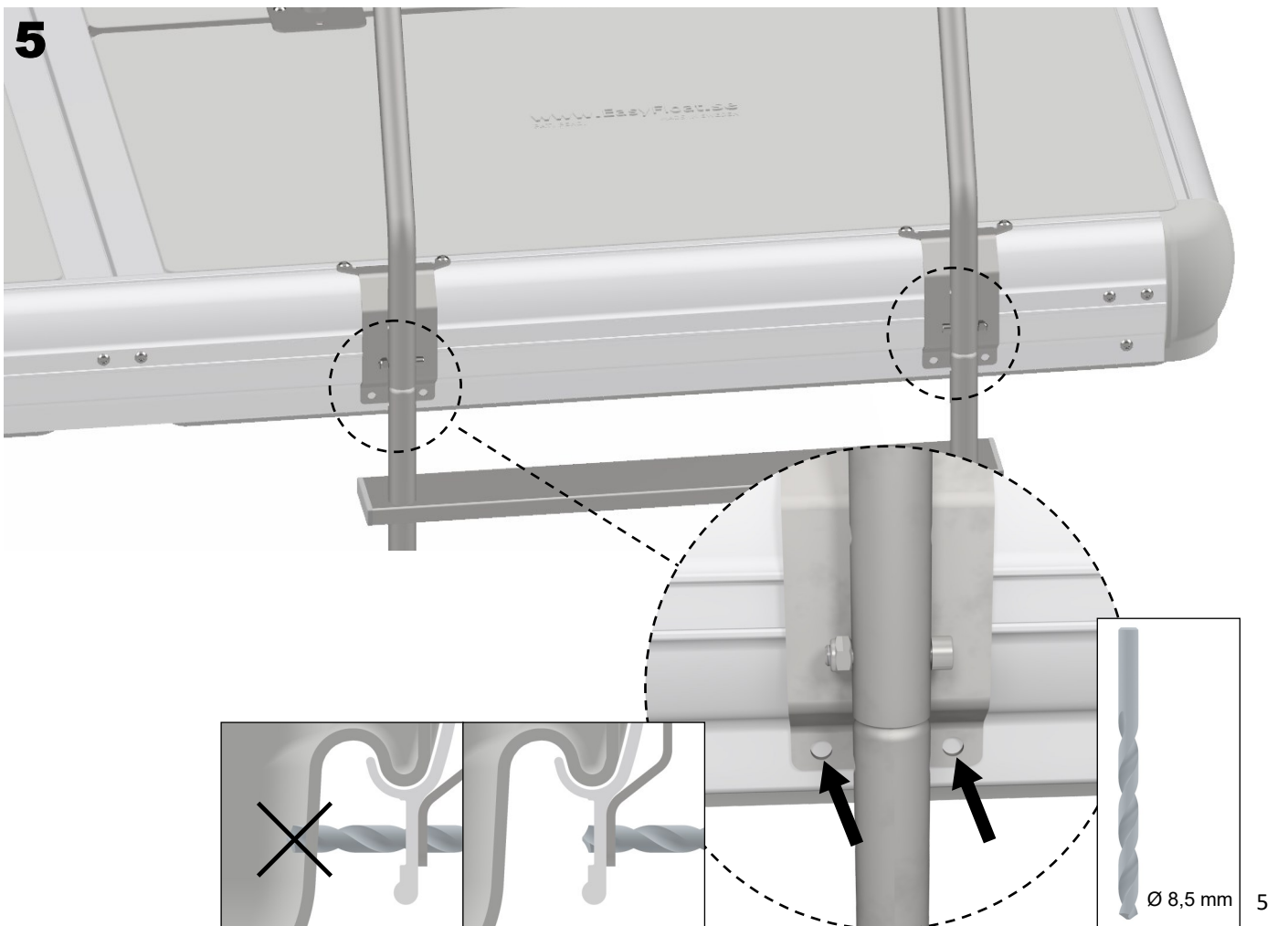
3



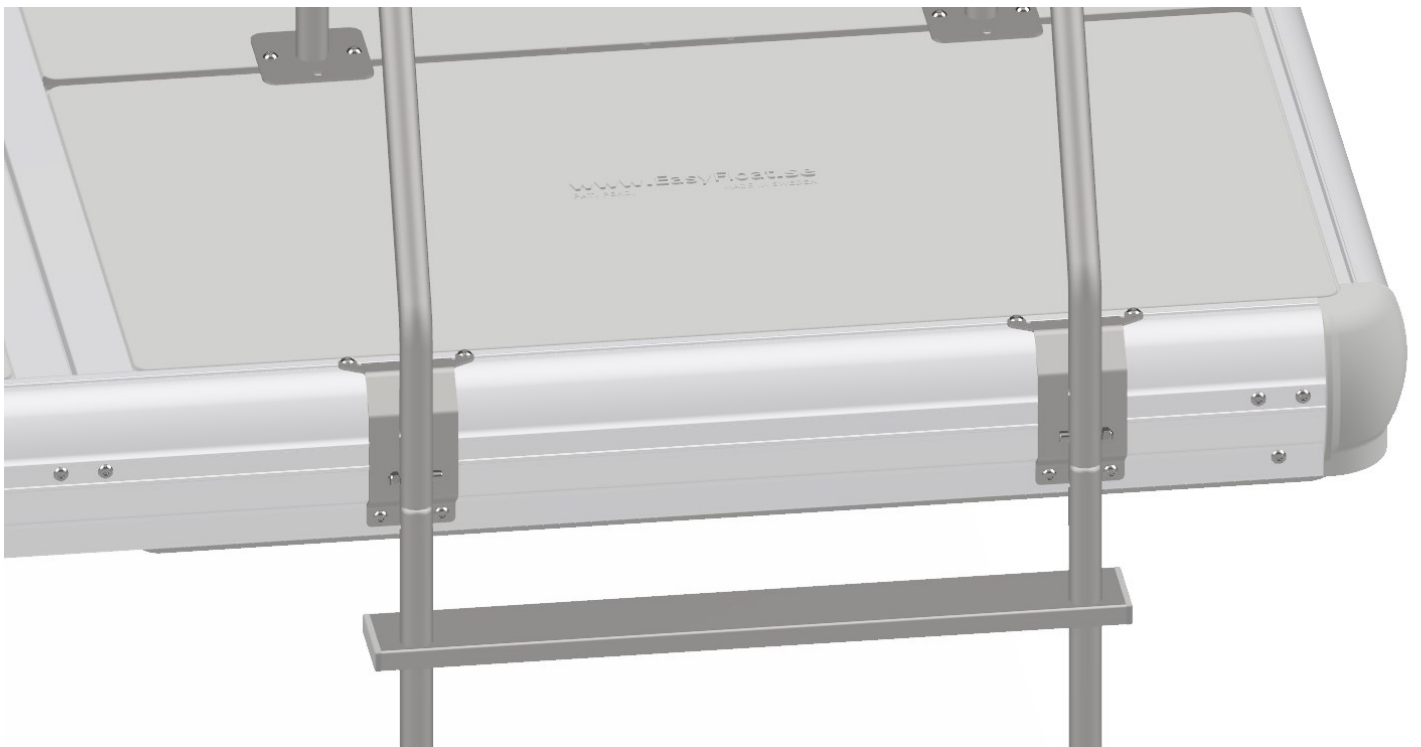
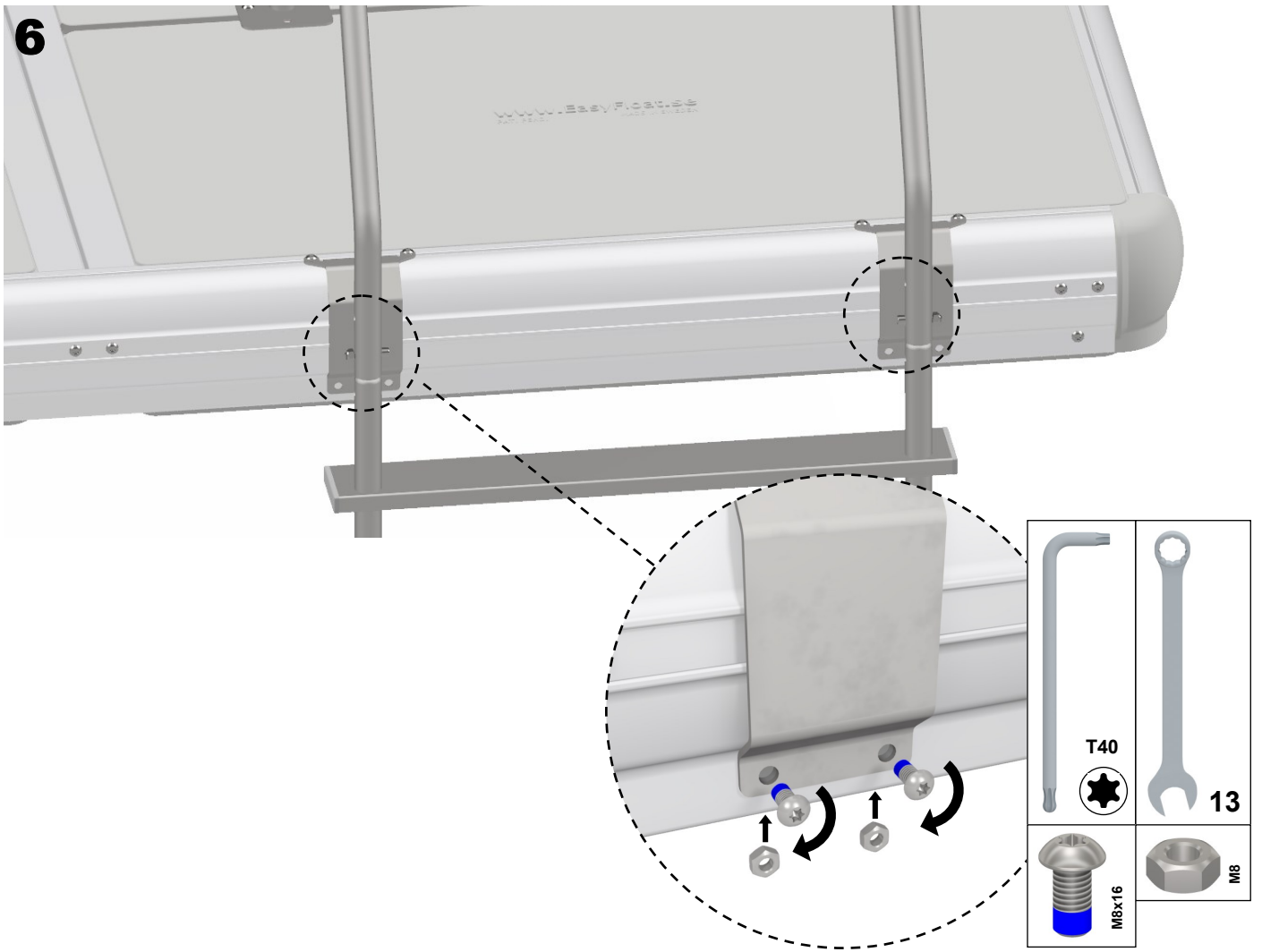
4



5



6





x2



x1



x2



x1



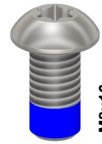
M8x40

x2



6,3x25

x4



M6x16

x8



M8

x2



M8

x4



13



T40



H6

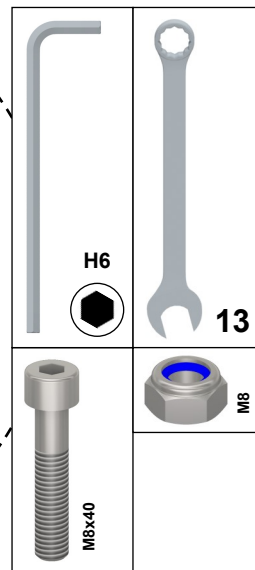
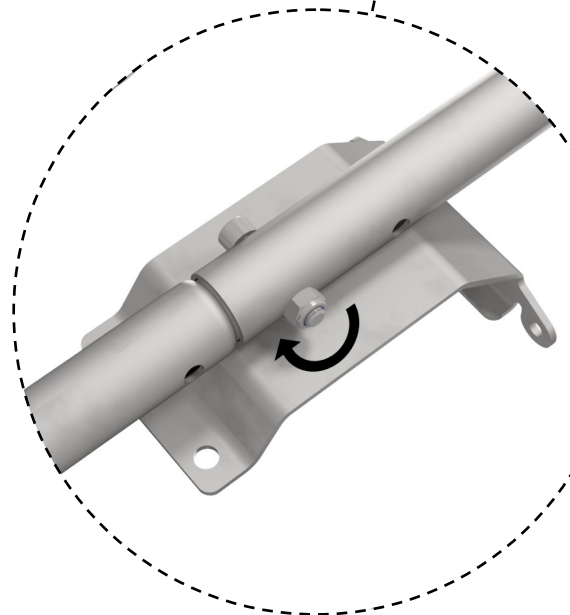
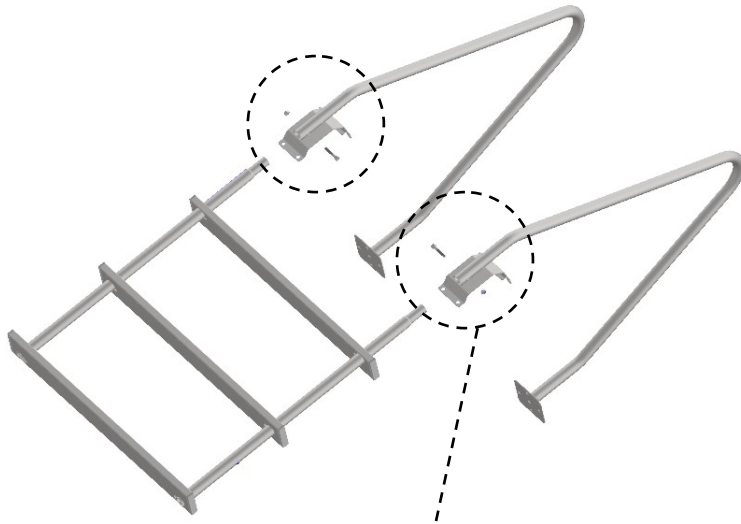
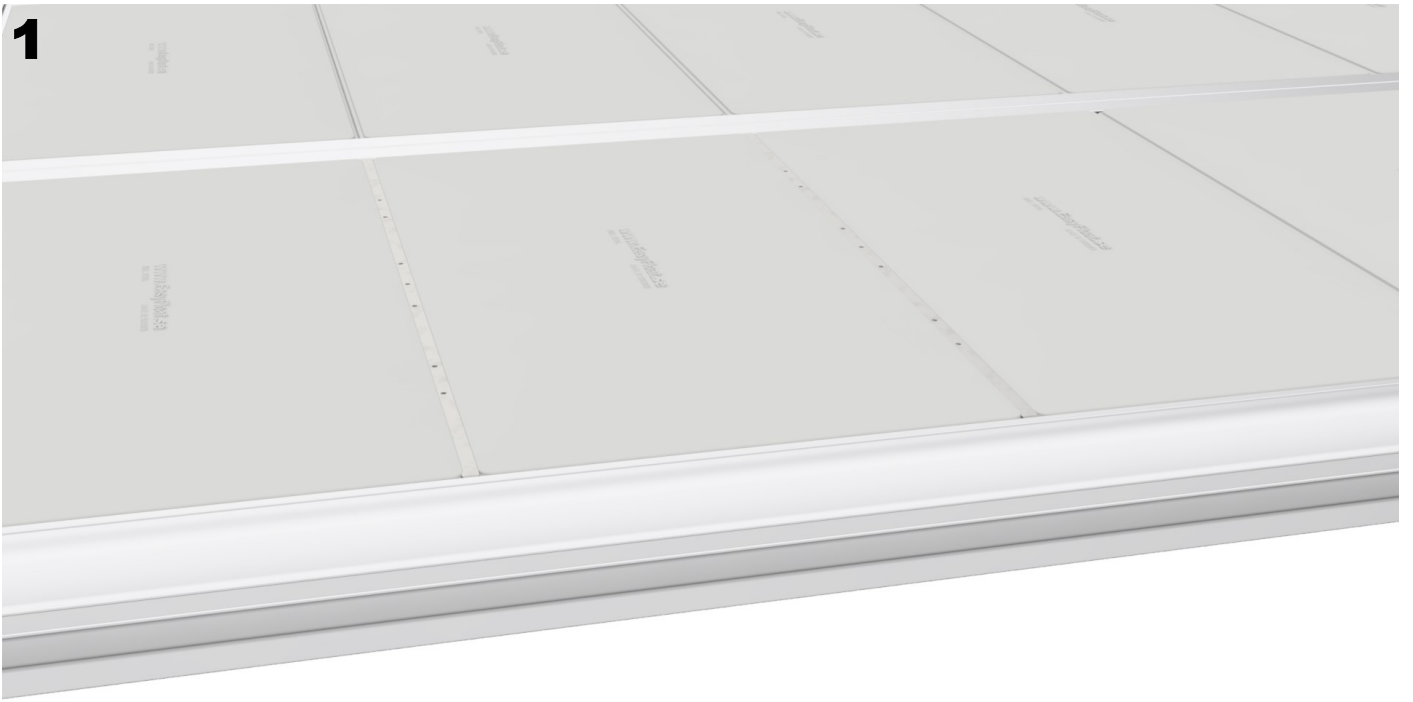


T30

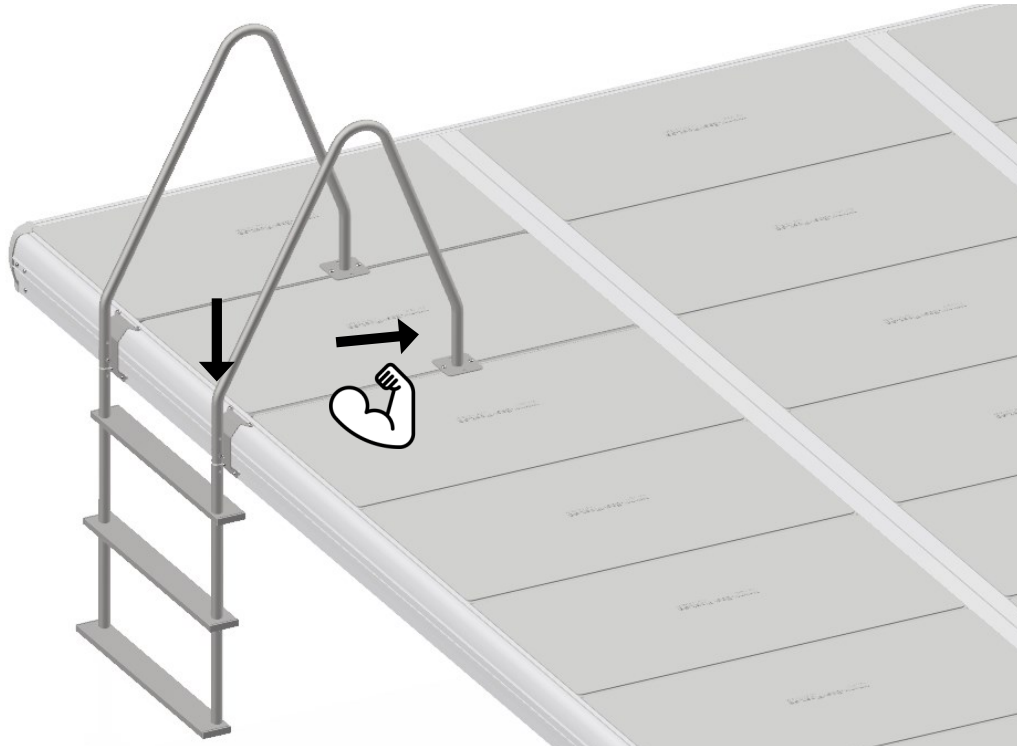


Ø 8,5 mm

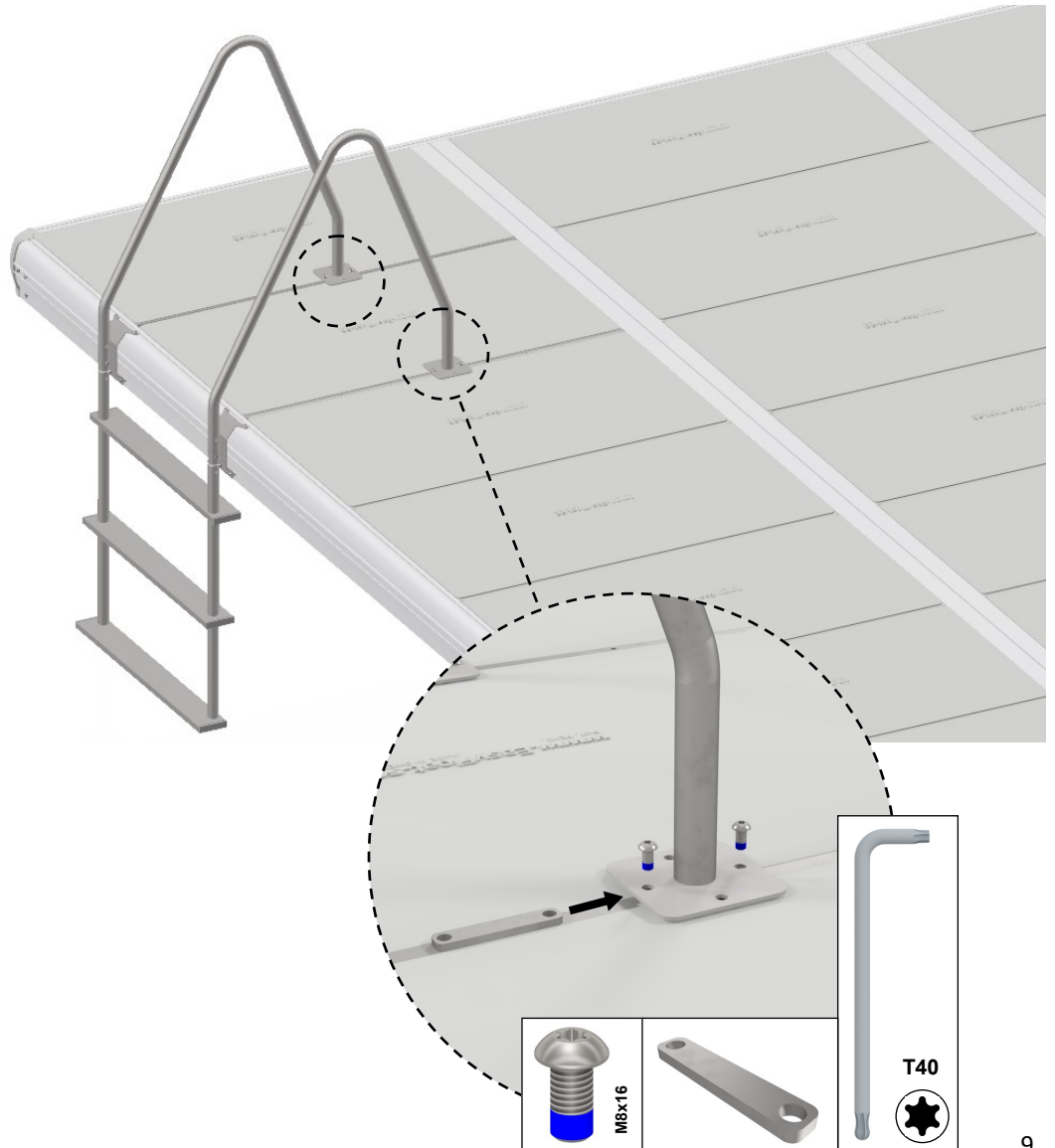
1



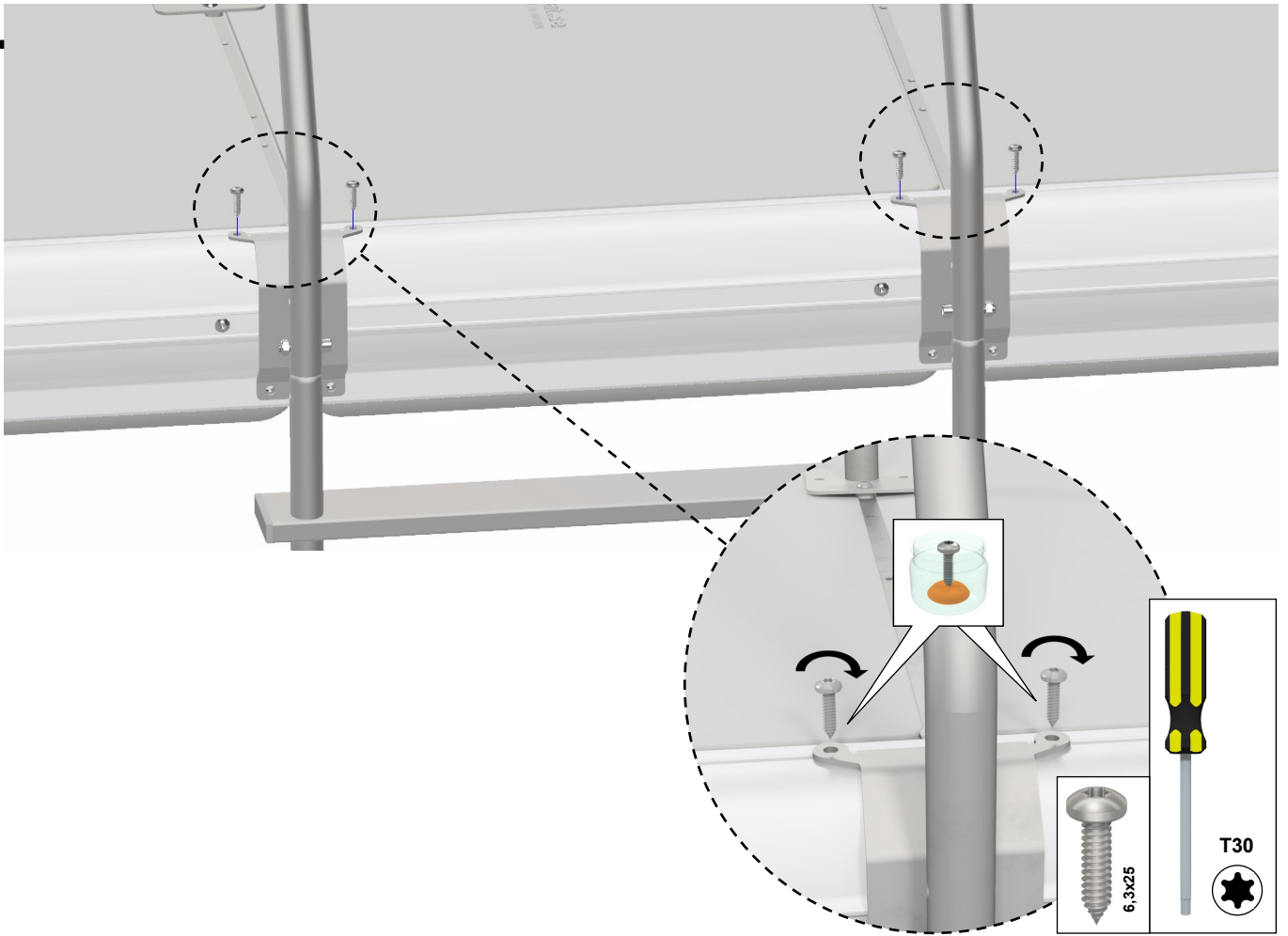
2



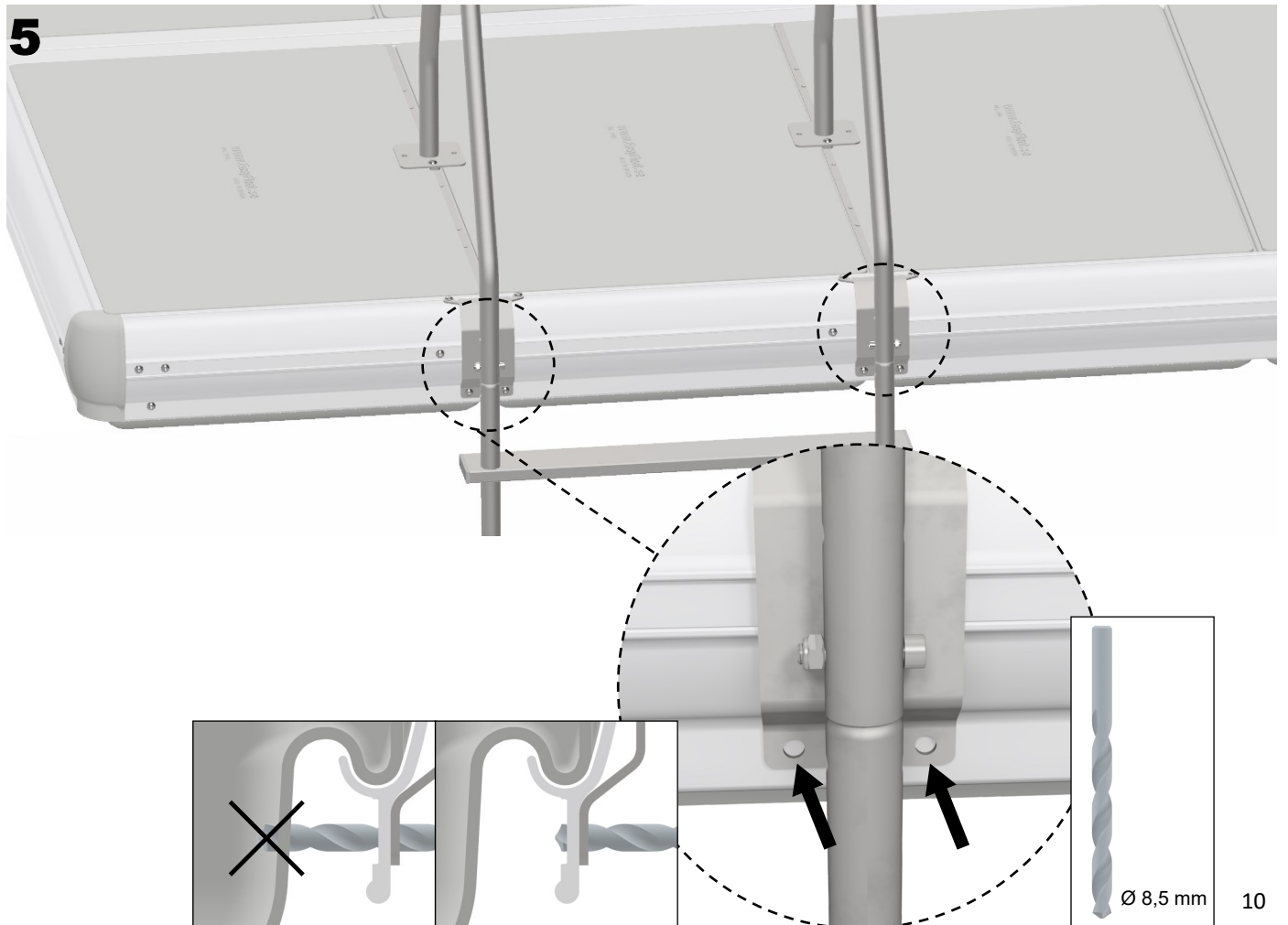
3



4



5



6

